



Photoelectric Sensor

## Z SERIES

- ZT- 1200    -
- ZR- 350    -
- ZD- 70    -
- ZD- L09    -
- ZR- X250    -
- ZR-QX200    -

### INSTRUCTION MANUAL

- Confirm if the item meets your needs.
- Before the use, you should first thoroughly read this manual and operate correctly as mentioned.
- You should keep this manual at hand for proper use.

### SPECIFICATION

	Through beam	Retro ref.	Diffused ref.	Limited range	Retro Coax.	Retro Coax. Transparent
Cable type	ZT-1200 (N,P) (D) (-B)	ZR-350 (N,P) (D) (-B)	ZD-70 (N,P) (-B)	ZD-L09 (N,P) (-B)	ZR-X250 (N,P)	ZR-QX200 (N,P)
Connector type	ZT-1200C (N,P) (D) (-B)	ZR-350C (N,P) (D) (-B)	ZD-70C (N,P) (-B)	ZD-L09C (N,P) (-B)	ZR-X250C (N4, N3, P4, P3)	ZR-QX200C (N4, N3, P4, P3)
Detecting distance	12m	3.5m (V-61)	70cm	10-90mm	2.5m (V-61)	2m (P250F)
Supply voltage	DC10~30V including ripple (P-P) 10%					
Current consumption	Sender : 20mA max.		20mA max.			
	Receiver : 15mA max.					
Response time	0.5ms max.			250 μs max.	0.5ms max.	
Control output	NPN/PNP Open collector 100mA max./DC30V					
Operation mode	Light ON, Dark ON Selectable by switch/Dark ON fixed (depend on model)					
Sensitivity adjustment	1 turn volume/Not equipped (depend on model)					
Indicator	Output indicator (orange LED)/Stable indicator (green LED)					Output indicator (orange LED)
Ambient temp./humidity	-25~55°C/35~85%RH					
Protection category/material	IP67/Case : ABS (glass included) Front cover, Lens : PMMA					

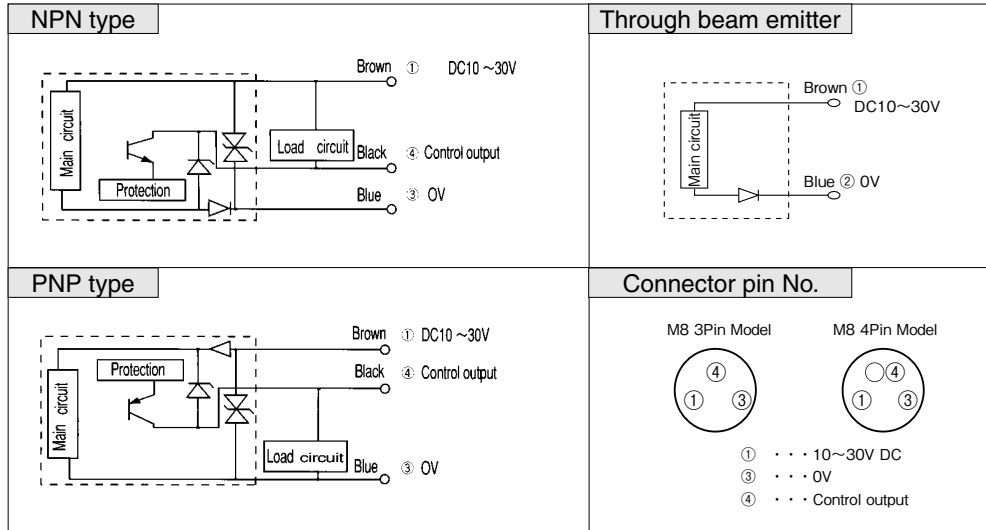
'D' in the type : Sensitivity adjuster is not equipped and dark on fixed.

'-B' in the type : Without accessories. (bracket, reflector)

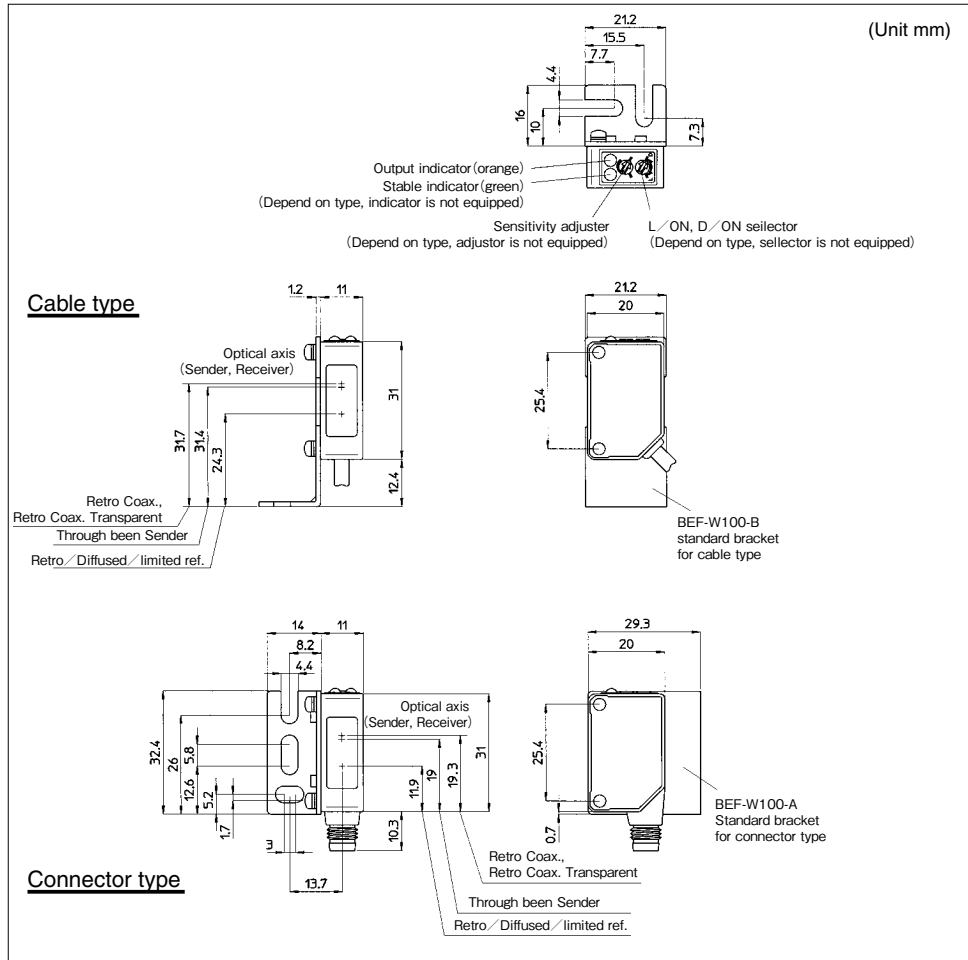
**! Must not use this item as safety equipment for the purpose of human body protection.**

- Specifications and equipment are subject to change without any obligations on the part of manufacture.
- For more information, questions and comments regarding products, please contact us below.

### INPUT AND OUTPUT CIRCUIT DIAGRAMS

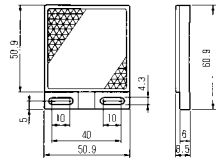


### DIMENSIONS



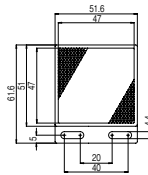
### ACCESSORIES

- Standard reflector (for Retro-ref., Retro Coax.)  
Detecting distance 3.5m (Retro-ref.) Type : V-61  
2.5m (Retro Coax.)



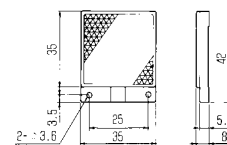
(Unit mm)

- Standard reflector (for Retro Coax. Transparent)  
Detecting distance 2m Type : P250F



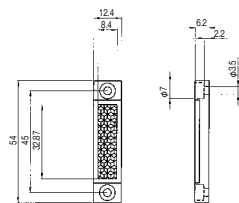
(Unit mm)

- Optional reflector  
Detecting distance 2m (Retro-ref.) Type : V-42  
1.5m (Retro Coax.)



(Unit mm)

- Optional reflector  
Detecting distance 1.2m (Retro-ref.) Type : P-45  
0.8m (Retro Coax.)



(Unit mm)

Manufactured and sold by :

**OPTEX FA CO., LTD.**

607-8085 Kyoto Yamashina Takehanadounomae 46-1, Japan  
TEL. +81-(0)75-594-8123 FAX. +81-(0)75-594-8124

Website: <http://www.optex-fa.com>